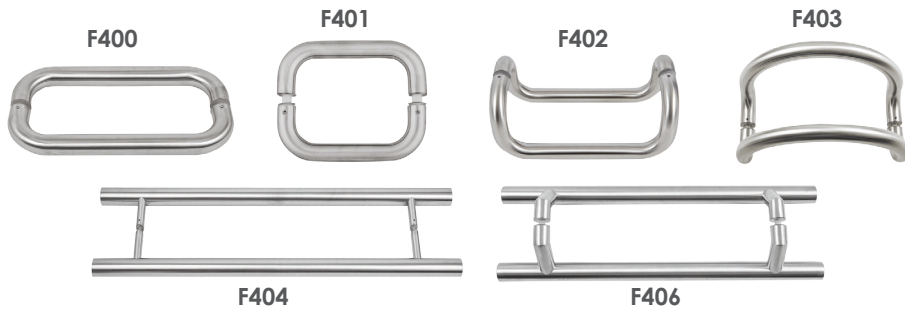
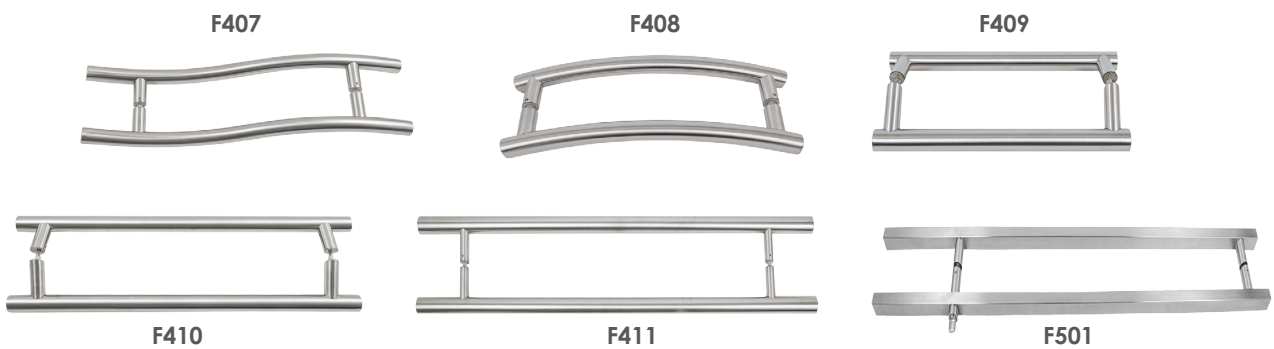


DOOR HANDLES



CODE	DESCRIPTION	HOLE DISTENTIONS	DIAMETER	HOLE CENTRES	OVERALL LENGTH	FINISH
F400	D Pull Handle	12mm	32mm	300mm	332mm	SSS
F401	D Pull Handle	12mm	19mm	130mm	130mm	SSS
F402	D Cranked Pull Handle	12mm	32mm	300mm	332mm	SSS
F403	C Cranked Pull Handle	12mm	32mm	300mm	332mm	SSS
F404	T Straight Pull Handle	12mm	32mm	350mm	500mm	SSS
F405	T Straight Pull Handle	12mm	32mm	350mm	500mm	PSS
F406	T Cranked Pull Handle	12mm	32mm	350mm	500mm	SSS
F407	S Pull Handle	12mm	32mm	400mm	600mm	SSS



CODE	DESCRIPTION	HOLE DISTENTIONS	DIAMETER	HOLE CENTRES	OVERALL LENGTH	FINISH
F408	Semi-C Pull Handle	12mm	32mm	350mm	420mm	SSS
F409	T Miter Handle	12mm	32mm	350mm	400mm	SSS
F410	T Miter Handle	12mm	32mm	500mm	600mm	SSS
F411	T Straight Handle	12mm	32mm	900mm	1170mm	SSS
F412	T Straight handle	12mm	25mm	125mm	200mm	PSS
F413	T Cranked Handle	12mm	32mm	150mm	400mm	SSS
F414	D Off-set Handle	12mm	19mm	130mm	150mm	SSS
F501	Lockable pull handle with key cylinder	12mm	SQUARE 35mm	1125mm	1500mm	SSS