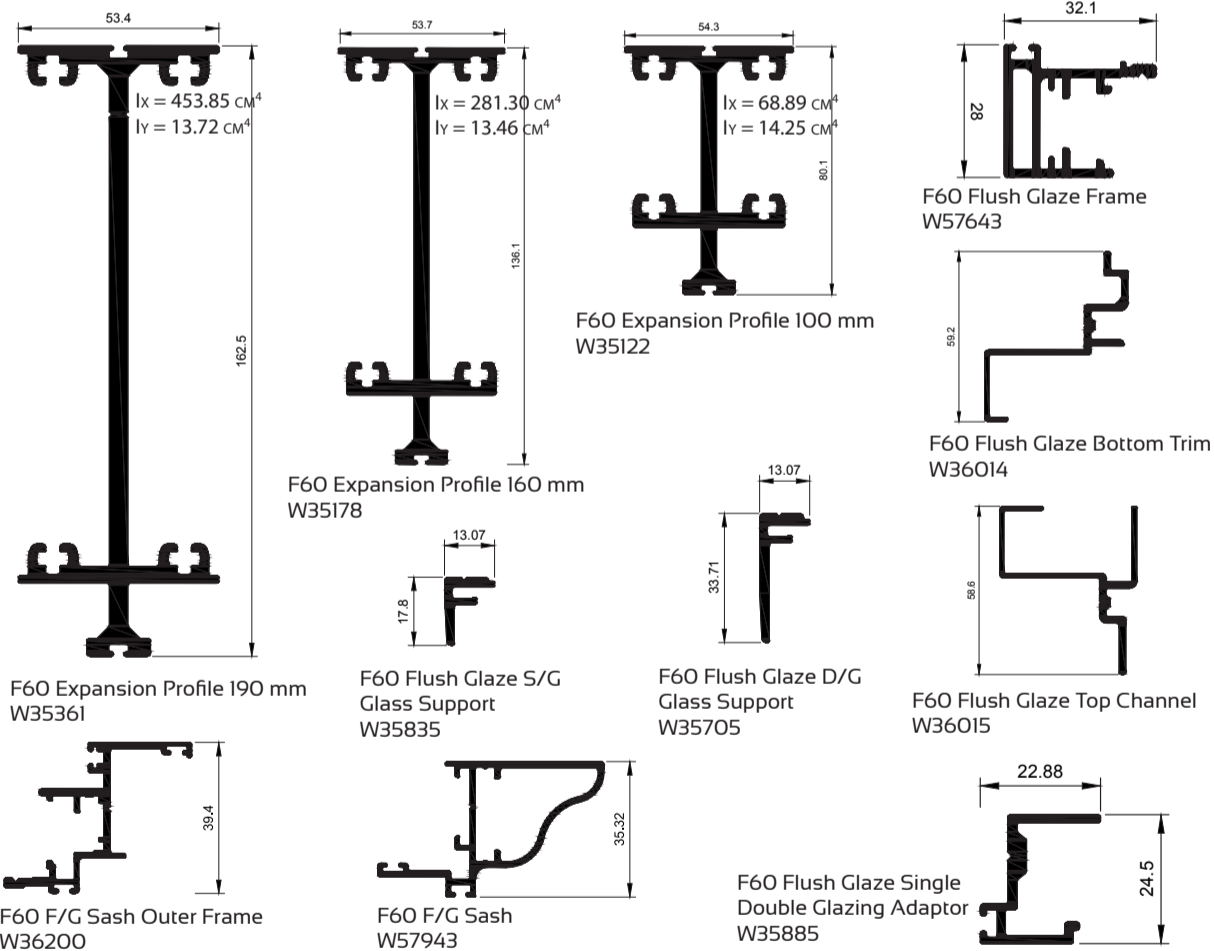
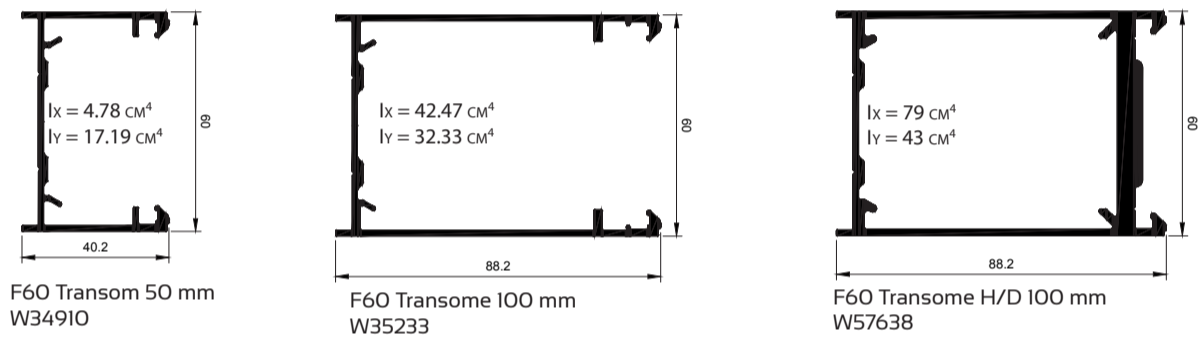
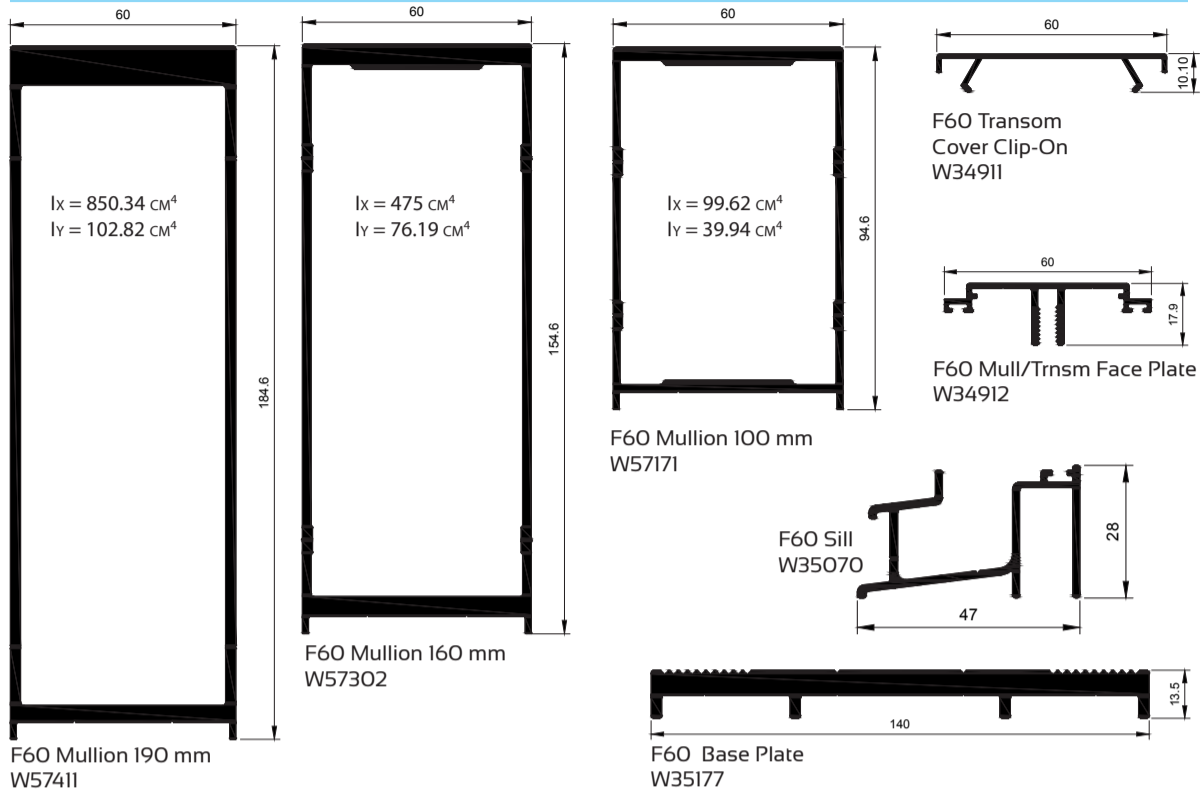
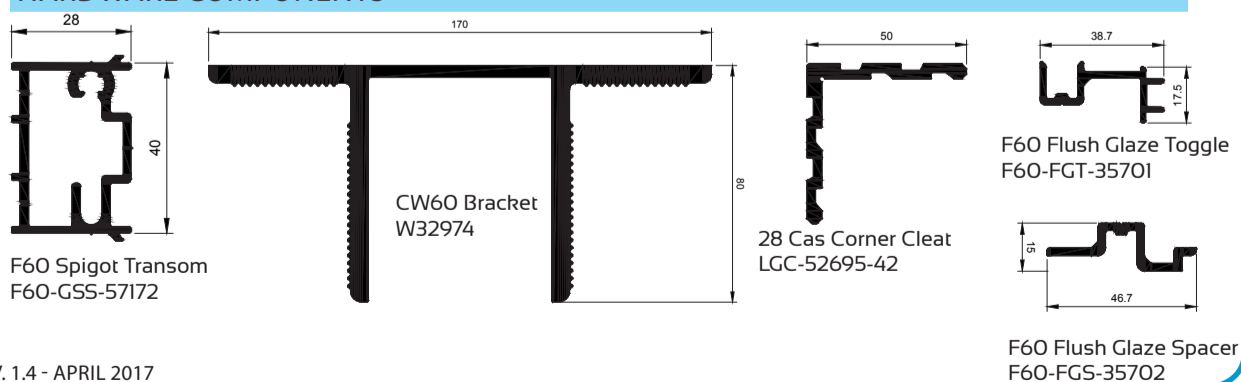


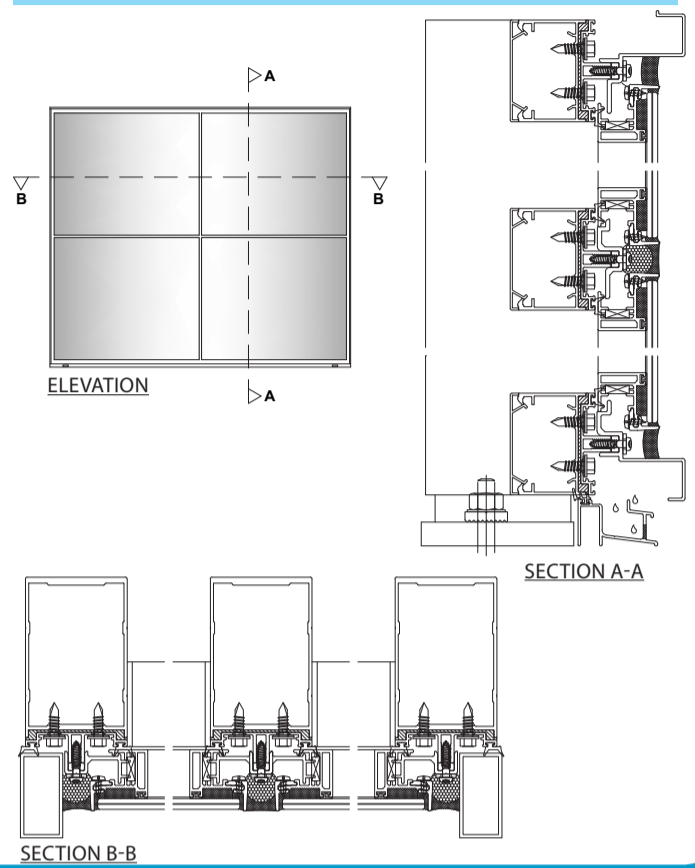
### PROFILES



### HARDWARE COMPONENTS



### TYPICAL ASSEMBLY DETAILS

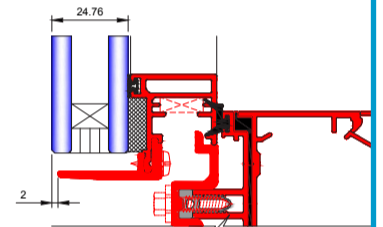


### GLAZING DETAILS

#### DOUBLE GLAZING

##### Min. & Max. Glass Thickness

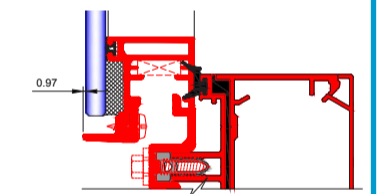
20mm  
22mm  
24.76mm



#### SINGLE GLAZING

##### Min. & Max. Glass Thickness

6.38mm  
8.38mm



### ACCESSORIES



By continuing to use this documentation you acknowledge that you understand and accept the legal disclaimer.

Training is highly recommended at Wispeco for all customers wanting to use the curtain wall system for the first time.

For calculating U-values & SHGC values please download the approved U-Solve calculator at [www.u-solve.co.za](http://www.u-solve.co.za) (Certain systems may not yet be available)