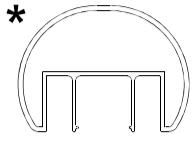
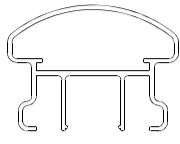




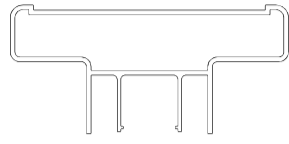
## Profiles



**DIE No. W55830** New York Rounded Hand Rail



**DIE No. W55828** New York Hand Rail



**DIE No. W56812** New York York Rail Flat



**DIE No. W32323A** New York York Clip Small



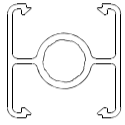
**DIE No. W32321** New York Small Cover



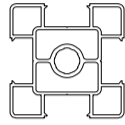
**DIE No. W32320** New York Big Cover



**DIE No. W55827** New York Corner Stanchion



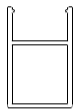
**DIE No. W55826** New York Stanchion



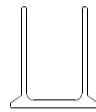
**DIE No. W57554** New York H/D Stanchion



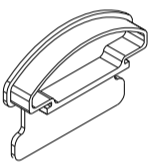
**DIE No. W42179** New York 20x20 Square Tube



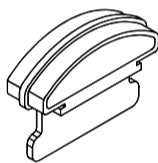
**DIE No. W55829** New York Bottom Rail



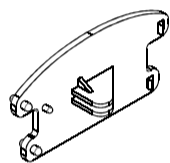
**DIE No. W32324** New York Bottom Rail



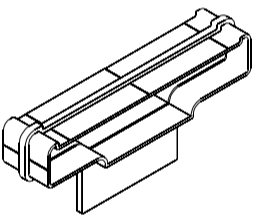
**PEC-EXM** Rail Extender Mushroom



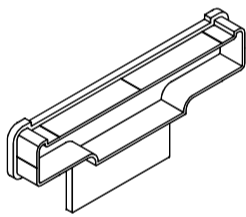
**PEC-ECM** Rail Endcap Mushroom



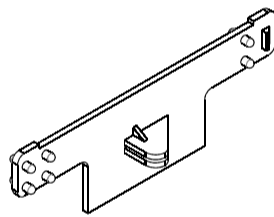
**PEC-JM45** Mushroom Rail 45 Joint



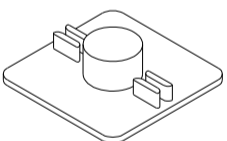
**PEC-EXFR** Rail Extender Flat



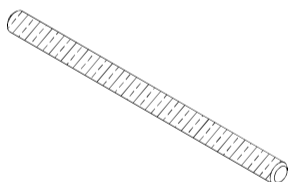
**PEC-EFR** Rail Endcap Flat



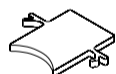
**PEC-JM45** Flat Rail 45 Corner Joint



**PEC-SC** Stanchion Endcap

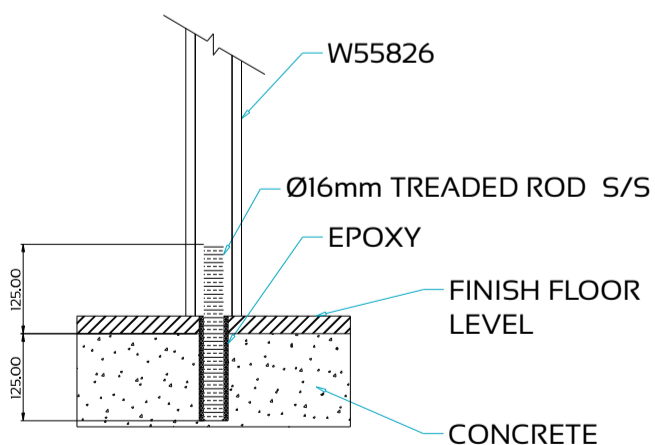


**FSN-16** Ø16mm x 250mm Threaded Rod



**PEC-GP** Glass Packer

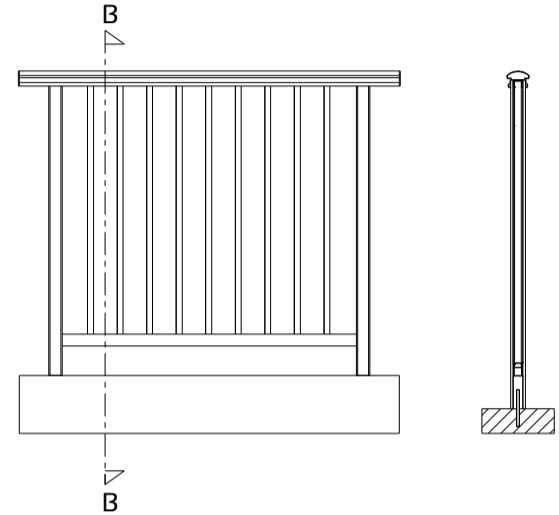
\* - Non Stock Items



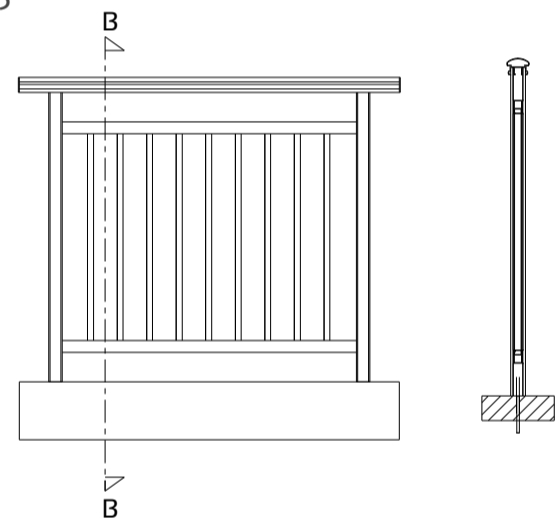
NB: EPOXY INSERTED INTO STANCHION & HOLE

## Elevations & Sections

### SQUARE TUBE RAILING FROM TOP RAIL



### SQUARE TUBE RAILING WITH GAP



### GLASS PANEL WITH GAP

